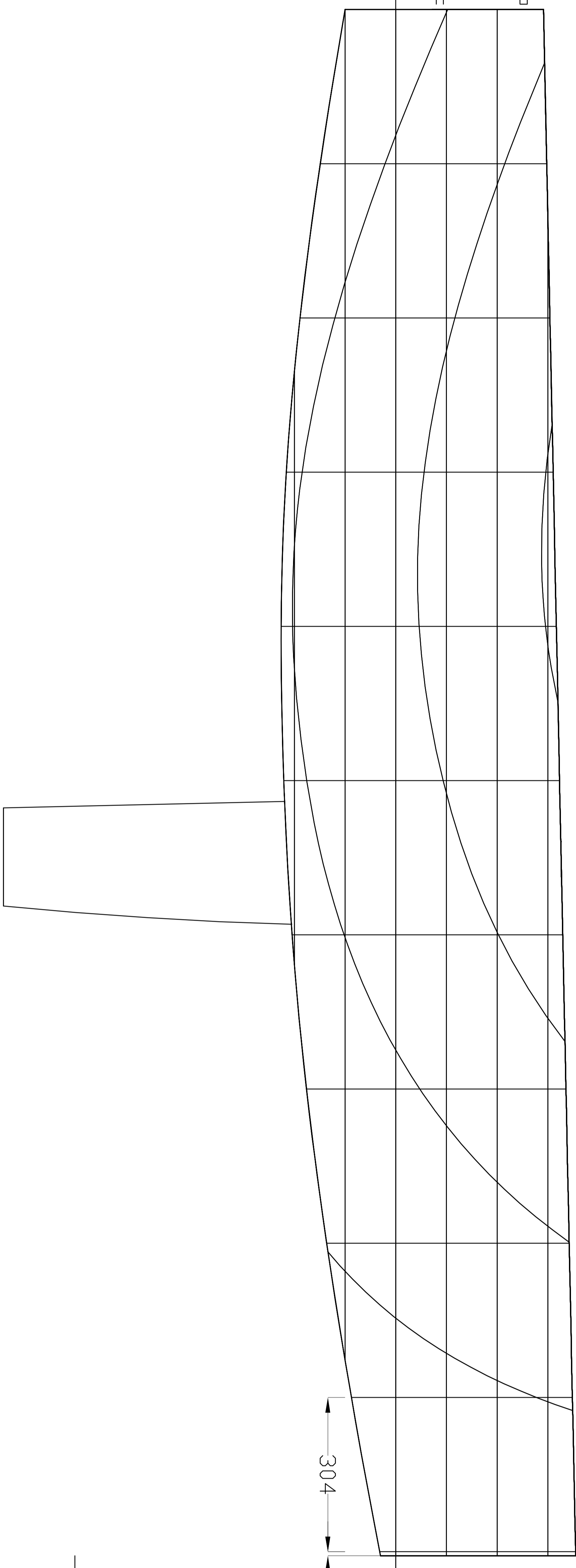
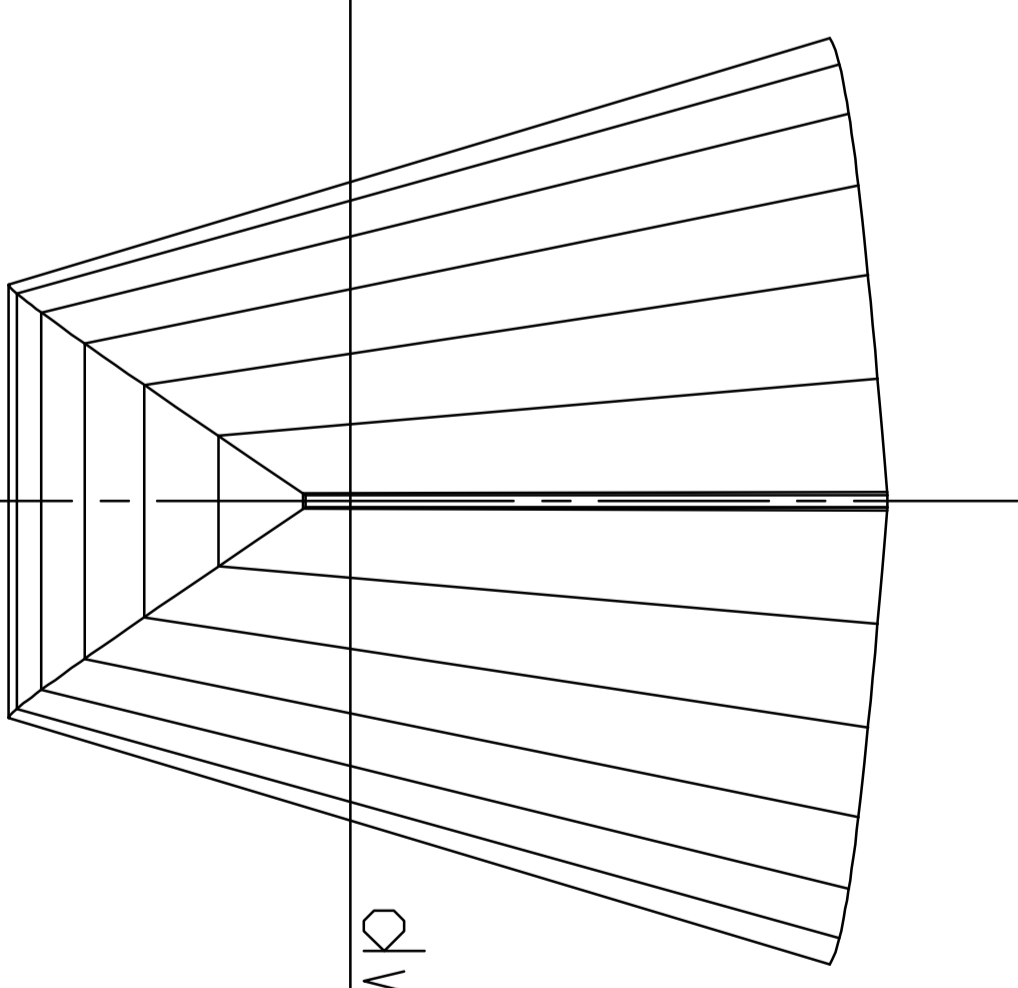


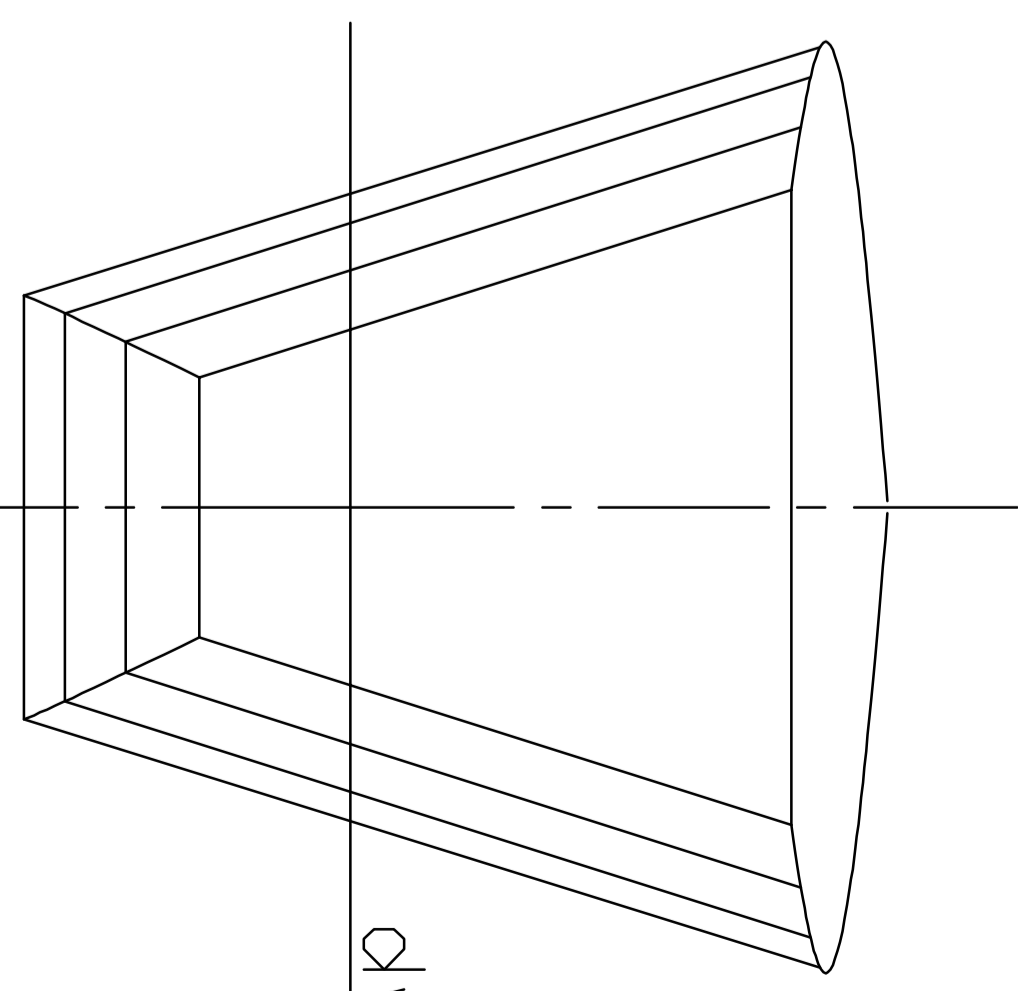
CENTRAL HULL



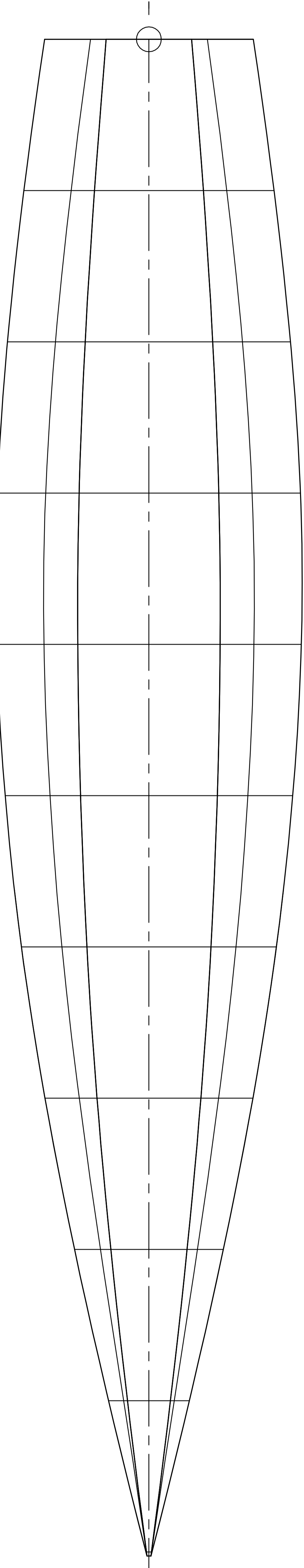
dwl (145 liters)



dwl



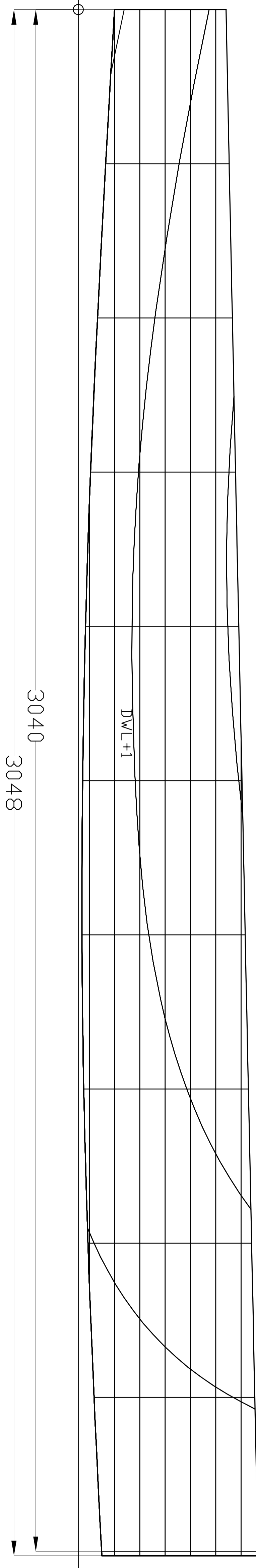
dwl



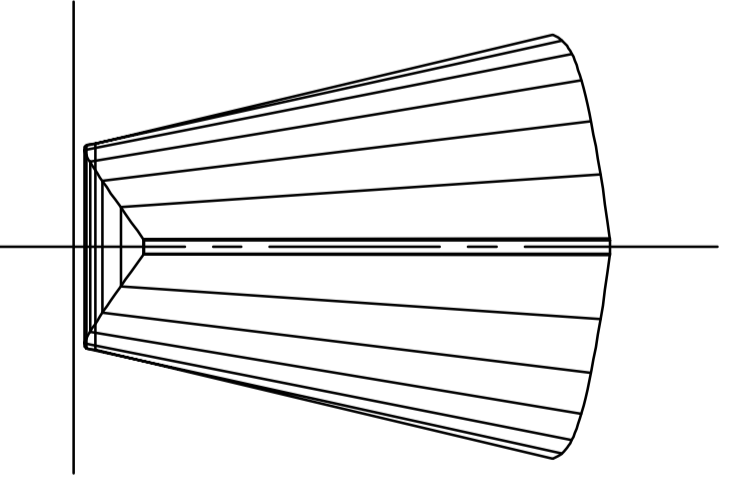
Cl

T 3048 / PRELIMINARY CHARACTERISTICS:
 Building material: foam balsa, marine plywood,
 glass fiber and epoxy resin.
 Length: 3,048 m
 Length at DWL: 3,048 m
 Length over all LOA with rudder: 3,113 m
 Fuel reservoir: 0,385 m³
 AM reservoir: 0,291 m³
 Depth from keel to top of fuel tank (displacement):
 ONE FLOA: 1,551 (1,605 w/ fuel displacement)
 Displacement: 70 kg (preliminary)
 Sail area (incl. handling area)
 Unsinkable with total flotation foam
 Temperature / Can reach
 European Commission: Category 211

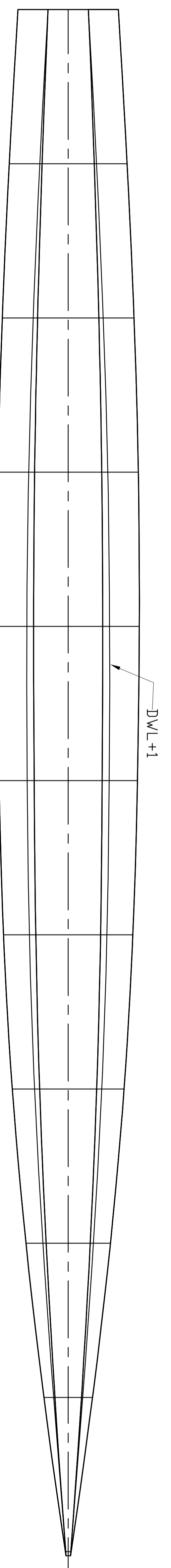
FLOAT



dwl



dwl



Cl

Client: Mr. Aurelio Proserpio

PRELIMINARY PLANS

e.hansaeva
 Yacht Design

11, rue Livinge de Saint-Roch
 1000 - 1050 - 1070 - 1080 - 1090 - 1100 - 1110 - 1120 - 1130 - 1140 - 1150 - 1160 - 1170 - 1180 - 1190 - 1200 - 1210 - 1220 - 1230 - 1240 - 1250 - 1260 - 1270 - 1280 - 1290 - 1300 - 1310 - 1320 - 1330 - 1340 - 1350 - 1360 - 1370 - 1380 - 1390 - 1400 - 1410 - 1420 - 1430 - 1440 - 1450 - 1460 - 1470 - 1480 - 1490 - 1500 - 1510 - 1520 - 1530 - 1540 - 1550 - 1560 - 1570 - 1580 - 1590 - 1600 - 1610 - 1620 - 1630 - 1640 - 1650 - 1660 - 1670 - 1680 - 1690 - 1700 - 1710 - 1720 - 1730 - 1740 - 1750 - 1760 - 1770 - 1780 - 1790 - 1800 - 1810 - 1820 - 1830 - 1840 - 1850 - 1860 - 1870 - 1880 - 1890 - 1900 - 1910 - 1920 - 1930 - 1940 - 1950 - 1960 - 1970 - 1980 - 1990 - 2000

T 3048

DATE: 19.11.15 SCALE: 1/5 A0

HULL LINES